

Frialen® Electro Fusion Spigot Saddles (Tapping Saddles)

Product Description

Frialen® electro fusion saddles are safe and reliable proven electro fusion technology using open wire principles. Frialen® electro fusion saddles are the only fittings used in petroleum industry to also be tested and approved for use with natural gas and low pressure gas, thus providing unparalleled quality and protection. When used in conjunction with Petroplas pipe and a Friamat electro fusion welder, it provides a Florida DEP compliant fuel installation with a 30 year life span.

Compact Part in HDPE, saddle with exposed heating element for optimal heat transfer and outlet spigot for use with Frialen® couplers. Swarfless tapping in the depressurized state allows tapping into existing fuel lines providing a permanent branch according to ISO requirements for electro fusion fittings.



Applications

- Service stations
- Marina's
- Fuel Terminals
- Moist and marshy areas
- Refineries
- Harbors
- Airports
- Non-Contaminated and Contaminated sites

Specifications

- Fitting Type : Matched electro fusion fittings are utilized throughout the pipeline system in order to join the various pieces. Exposed and 'safe' low voltage operation (42V), applied through dedicated ancillary equipment ensures maximum joint integrity. Fusion indicators monitor the joint melt pressure, while absolute security of the weld is ensured using the fittings bar code feature in conjunction with the fully automatic Friamat® Control Box Unit. Swarfless tapping in the depressurized state by means of commercial drilling units. Friamat® electro fusion machine with memory, printing and error reporting.
- Electro Fusion Machine :
- Temperature range : Fittings can be worked with at ambient temperatures between -24°F and 160°F.
- Pipe fusion range : The fittings can be fused to pipe of SDR stages 17.6 to 7.4 in accordance with DIN 8074 (E), ISO 4437, pr EN 1555 and DIN EN 12201 (E).
- Operating pressures : 232 psi maximum
- Test pressure : 232 psi or 5 times operating pressures
- Approved Fuel Types : All Petroleum Products (Motor Vehicle Fuels, High Blend Fuels, Concentrated Fuels, Aviation & Marine Fuels)

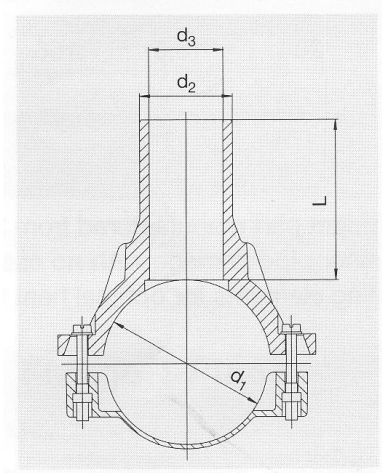
Installation

Installation, use, and maintenance of all Frialen® products shall be in accordance with the manufacturer's recommendations, State and county approvals. In event of conflicts, the stricter requirement shall govern. (IPP installation manual available directly from IPP, or at www.innovativepetroleum.com) All operators to be IPP certified on both the fittings and electro fusion machine

Certifications/Approvals

- Institute of Petroleum
- Shell Int. Procurement Cert.
- State of Florida
- State of Michigan
- New York City Fire Dept.
- DOT 192 and 195
- DVGW Permit
- Factory Permit
- Cert # BC63/1010/98/001 And cert # BC63/0115/2000/001
- Cert # BC63/1010/98/002
- EQ 683 and EQ 617 – and Derm Approval
- MUSTR – Rule 9, subsections 280.20 (b)
- CoA 5117
- On waiver letter per project
- VP 607, with decisions DV-8601AU2248, DV-8606AU2249 and DV-8611AU2250
- DIN EN 10 204-3.1

Note : specifications subject to change without notice
MARCH 08



Diam. NB* inches	Diam OD** Metric	Part #	Dim d1		Dim d2		Dim L		Weigh Kg/each	Weigh Lbs/each
			mm	In.	mm	In.	mm	In.		
2"/1½"	63/50	612759	63	2"	50	1½"	78	3.07"	0.321	0.71
3"/2"	90/63	612819	90	3"	63	2"	103	4.06"	0.715	1.57
4"/2"	110/63	612760	110	4"	63	2"	109	4.29"	0.945	2.08
5"/2"	125/63	612761	125	5"	63	2"	109	4.29"	1.050	2.31
6"/2"	160/63	612762	160	6"	63	2"	109	4.29"	1.245	2.74
Other sizes available to 1600mm (63")										

(*) Nominal Bore
 (**) Outside Diameter

Note : specifications subject to change without notice
 MARCH 08



317 Vicki Towers Lane
 St Augustine Florida, 32092

Tel : (904) 940 8863
 Fax : (425) 955 8722
www.innovativepetroleum.com
sales@innovativepetroleum.com